

VAN DOORNE CVT, (Rover, Volvo, Metro 1992-2000)

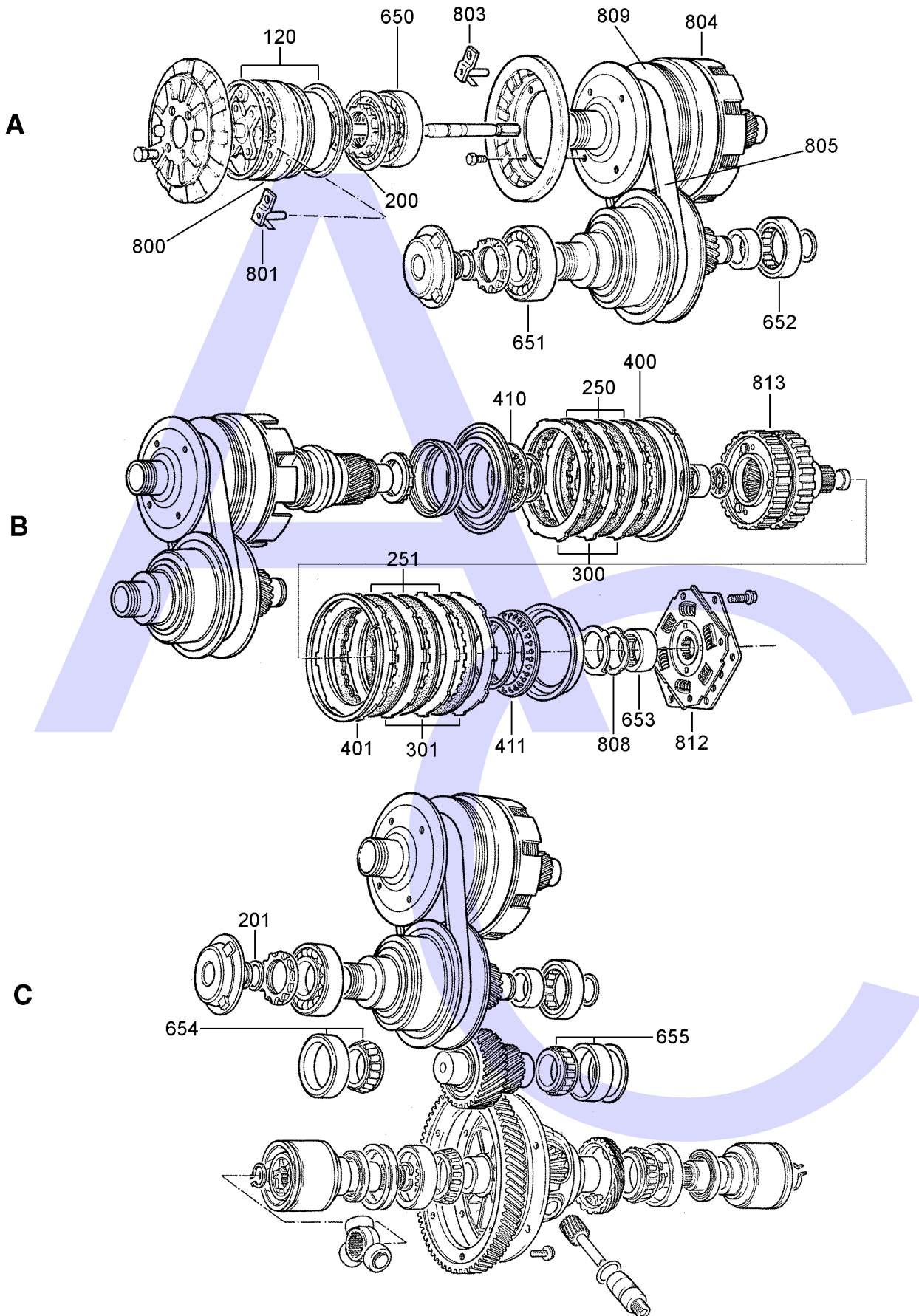
CONSTANTLY VARIABLE FWD (Hydraulic Control)



AUTOMATIC CHOICE



THE AUTOMATIC TRANSMISSION PARTS WAREHOUSE



VAN DOORNE CVT, (Rover, Volvo, Metro 1992-2000) CONSTANTLY VARIABLE FWD (Hydraulic Control)

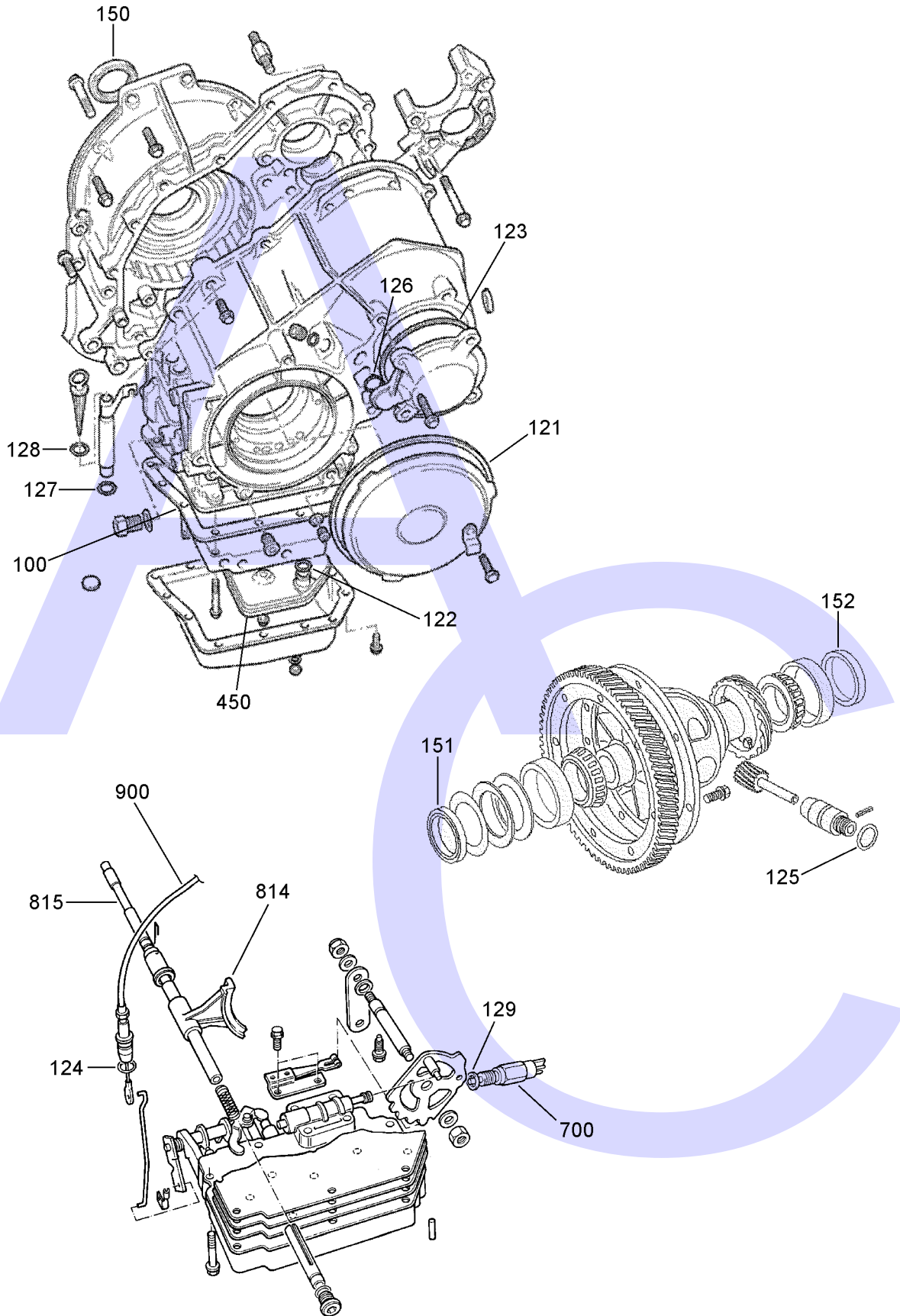


AUTOMATIC CHOICE



THE AUTOMATIC TRANSMISSION PARTS WAREHOUSE

D



VAN DOORNE CVT, (Rover, Volvo, Metro 1992-2000)

CONSTANTLY VARIABLE FWD (Hydraulic Control)



AUTOMATIC CHOICE



THE AUTOMATIC TRANSMISSION PARTS WAREHOUSE

ILL NO.	DESCRIPTION	YEARS	QTY	PART NO
KITS				
Kit	Overhaul Kit (Rover/Volvo)	92-00	1	CVT.OHK02
Kit	Gasket & Rubber	90-ON	1	CVT.GSK02
GASKETS				
100D	Oil Pan Gasket.....	90-ON	1	CVT.GAS01
RUBBER COMPONENTS				
Kit	O' Ring Kit.....	90-ON	1	CTX.ORK01
120A	Pump O'Ring (Front & Rear)	90-ON	2	CTX.OR04
121D	Primary Cover O'Ring.....	90-ON	1	CTX.OR05
122D	Filter O'Ring.....	90-ON	1	CTX.OR09
123D	Secondary Cover 'O' Ring (Large)	90-ON	1	CVT.OR01
124D	Throttle Cable 'O' Ring.....	90-ON	1	CTX.OR01
125D	Speedo Housing 'O' Ring.....	90-ON	1	CTX.OR03
126D	Secondary Cover 'O' Ring (Small)	90-ON	1	CTX.OR07
127D	Dipstick Tube to Case 'O' Ring ..	90-ON	1	CTX.OR08
128D	Dipstick to Tube 'O' Ring.....	90-ON	1	CTX.OR10
129D	Inhibitor Switch 'O' Ring.....	90-ON	1	CTX.OR12
NI	Primary Drum 'O' Ring	90-ON	1	CTX.OR02
NI	Fwd Clutch Inner Lip Seal.....	90-ON	1	CTX.LIP01
NI	Fwd Clutch Outer Lip Seal.....	90-ON	1	CVT.LIP02
NI	Rev Clutch Inner Lip Seal	90-ON	1	CVT.LIP03
NI	Rev Clutch Outer Lip Seal	90-ON	1	CVT.LIP04
METAL CLAD OIL SEALS				
150D	Input Shaft Seal	90-ON	1	CTX.MCS11
151D	Drive Shaft Seal (Left Hand).....	90-ON	1	CVT.MCS12
152D	Drive Shaft Seal (Right Hand) ..	90-ON	1	CVT.MCS12
NI	Selector Seal	90-ON	1	CTX.MCS13
SEALING RINGS				
Kit	Sealing Ring Kit).....	90-ON	1	CTX.SRK01
200A	Primary Shaft (Pump Nose).....	90-ON	1	CTX.SSR01
201C	Secondary Shaft	90-ON	1	CTX.SSR02
FRICTION PLATES				
250B	Forward Friction	90-ON	3	CTX.FRP02
250B	Forward Friction (Alto)	90-ON	3	CVT.FRP52
251B	Reverse Friction.....	90-ON	3	CTX.FRP02
251B	Reverse Friction (Alto)	90-ON	3	CVT.FRP52
STEEL PLATES				
300B	Forward Steel Plate	90-ON	3	CTX.STP02
301B	Reverse Steel Plate	90-ON	3	CTX.STP02

ILL NO.	DESCRIPTION	YEARS	QTY	PART NO
PRESSURE PLATES				
400B	Forward Pressure Plate	90-ON	1	CVT.PP01
401B	Reverse Pressure Plate.....	90-ON	1	CVT.PP01
SPRINGS				
410B	Fwd Clutch Dia Spring.....	89-ON	1	CTX.DIA01
411B	Rev Clutch Dia Spring	89-ON	1	CTX.DIA02
FILTERS				
450D	Pan Filter (Rover/Metro)	90-ON	1	CVT.FIL11
450D	Pan Filter (Volvo)	90-ON	1	CVT.FIL02
BEARINGS				
Kit	Bearing Replacment Kit (Rover Metro).....	90-ON	1	CVT.BK01
650A	Bearing Primary (Volvo/Metro)..	90-ON	1	CTX.BE01
651A	Bearing Secondary	90-ON	1	CTX.BE02
652A	Bearing Pinion	90-ON	1	CVT.BE01
653B	Bearing Input Shaft (Needle)	90-ON	1	CVT.BE02
654C	Idler Gear Bearing L. Hand.....	90-ON	1	CTX.BE06
655C	Idler Gear Bearing R. Hand	90-ON	1	CTX.BE06
ELECTRICAL COMPONENTS				
700D	Inhibitor Switch (3 Pin Connector).....	90-ON	1	CTX.INH01
700D	Inhibitor Switch (4 Pin Connector).....	90-ON	1	CTX.INH02
VALVE BODY PARTS				
HARD PARTS				
800A	Pump Assembly (Volvo, Rover Metro,100/216)...	90-ON	1	CVT.PUM01
801A	Pitot Tube Engine	90-ON	1	CTX.TU03
803A	Pitot Tube Primary	90-ON	1	CVT.TU01
804A	Primary Drum (Rebuilt) (40 Teeth on Sun Gear)	92-ON	1	CVT.DRU02
805A	Drive Belt).....	90-ON	1	CTX.CH01
806B	Secondary Drum (Rebuilt)	90-ON	1	CVT.DRU06
808B	End Float Shim 1.3mm	89-ON	1	CTX.SHIM01
808B	End Float Shim 1.4mm	90-ON	1	CTX.SHIM06
808B	End Float Shim 1.5mm	90-ON	1	CTX.SHIM02
808B	End Float Shim 1.9mm	90-ON	1	CTX.SHIM03
808B	End Float Shim 2.0mm	90-ON	1	CTX.SHIM04
809A	Primary Cylinder Repair (Requires Old Core).....	90-ON	1	CVT.DRU07
812B	Damper Plate (Rover).....	90-ON	1	CTX.DAM02
812B	Damper Plate (Volvo).....	90-ON	1	CVT.DAM02
813B	Planetary Assembly (Except New Mini).....	90-ON	1	CVT.PL01
813B	Planetary Assembly (New Mini).....	90-ON	1	CVT.PL02

VAN DOORNE CVT, (Rover, Volvo, Metro 1992-2000)

CONSTANTLY VARIABLE FWD (Hydraulic Control)



AUTOMATIC CHOICE



THE AUTOMATIC TRANSMISSION PARTS WAREHOUSE

ILL NO.	DESCRIPTION	YEARS	QTY	PART NO
HARD PARTS Cont...				
814D	Ratio Sensor Fork.....	90-ON	1	CVT.SEN01
815D	Ratio Sensor Shaft.....	90-ON	1	CVT.SH01
NI	Belt Lubrication Tube.....	90-ON	1	CTX.TU02
NI	Ball Bearing (5.90mm) (For Primary Sliding Shaft)	90-ON	6	CTX.BALL01
NI	Ball Bearing (5.90mm) (For Secondary Sliding Shaft)...	90-ON	9	CTX.BALL01
CABLES				
900D	Throttle Cable (Rover Metro/100).....	90-ON	1	CVT.CAB02
900D	Throttle Cable (Volvo 400).....	90-ON	1	CVT.CAB03
900D	Throttle Cable (Rover 216/100).....	96-97	1	CVT.CAB04
SPECIAL ITEMS				
NI	Oil Pump Remover Tool.....	89-ON	1	CTX.TOOL01
NI	Primary Drum Locking Tool.....	89-ON	1	CTX.TOOL02
NI	Secondary Drum Remover	89-ON	1	CTX.TOOL03
NI	Primary Drum Remover	89-ON	1	CTX.TOOL04
NI	Fwd Clutch Piston Guide	89-ON	1	CTX.TOOL05
NI	Rev Clutch Piston Guide.....	89-ON	1	CTX.TOOL06
NI	Valve Body Alignment Pins.....	89-ON	1	CTX.TOOL07
NI	Pressure Gauge 60 Bar.....	89-ON	1	CTX.TOOL08
NI	Pressure Gauge 0-10 Bar.....	89-ON	1	CTX.TOOL10
NI	Secondary Unit Puller.....	89-ON	1	CTX.TOOL09
NI	Piston Holding Clamp Control...	89-ON	1	CTX.TOOL12

ILL NO.	DESCRIPTION	YEARS	QTY	PART NO
---------	-------------	-------	-----	---------