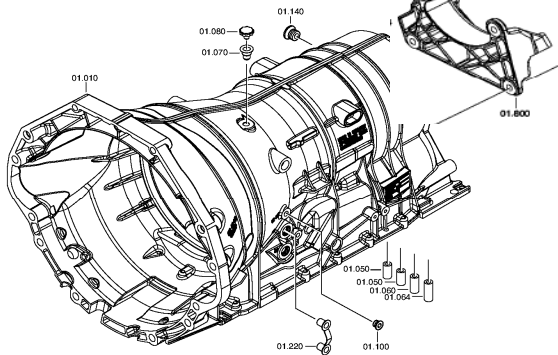


ZF 6HP26 Automatic Transmission - Available Spare Parts (REFERENCE ONLY*)

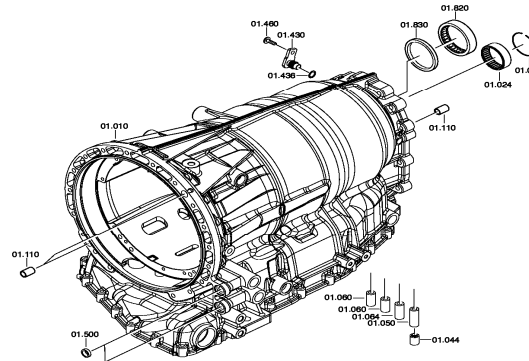


6 HP 26 GEARBOX HOUSING



6 HP 26
BMW
N62, N73

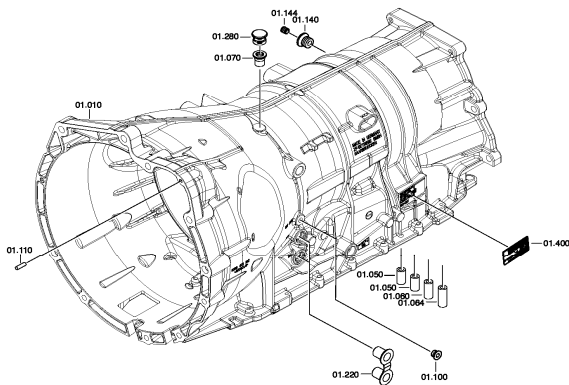
6 HP 26 A - GEARBOX HOUSING



6 HP 26 A-61
AUDI

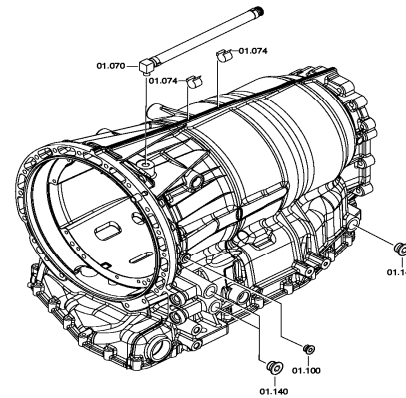
6HP26	6HP26A	6HP26X	6HP26A61	Part Number	Description
01.080		01.080	38.450	0501 314 809 01	VENT COVER
01.070		01.070		0501 314 851 01	BREATHER
01.100	01.100	01.100	01.100	0501 315 118 01	SCREW PLUG M10X1
01.800				1068 314 082 01	CONSOLE (Rear support) FORD

6 HP 26 X GEARBOX HOUSING



6 HP 26 X
BMW
M57

6 HP 26 A 61 GEARBOX HOUSING



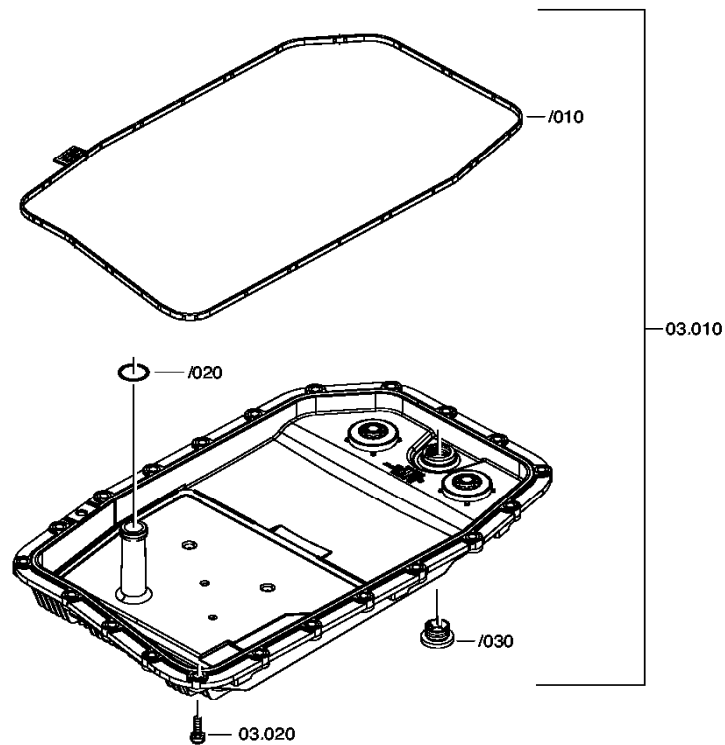
6 HP 26 A-61
AUDI

* This catalog is for reference only... part numbers may be changed in the future and may differ depending on transmission specification number.

ZF 6HP26 Automatic Transmission - Available Spare Parts (REFERENCE ONLY*)



6 HP 26 / 26X - OIL SUMP



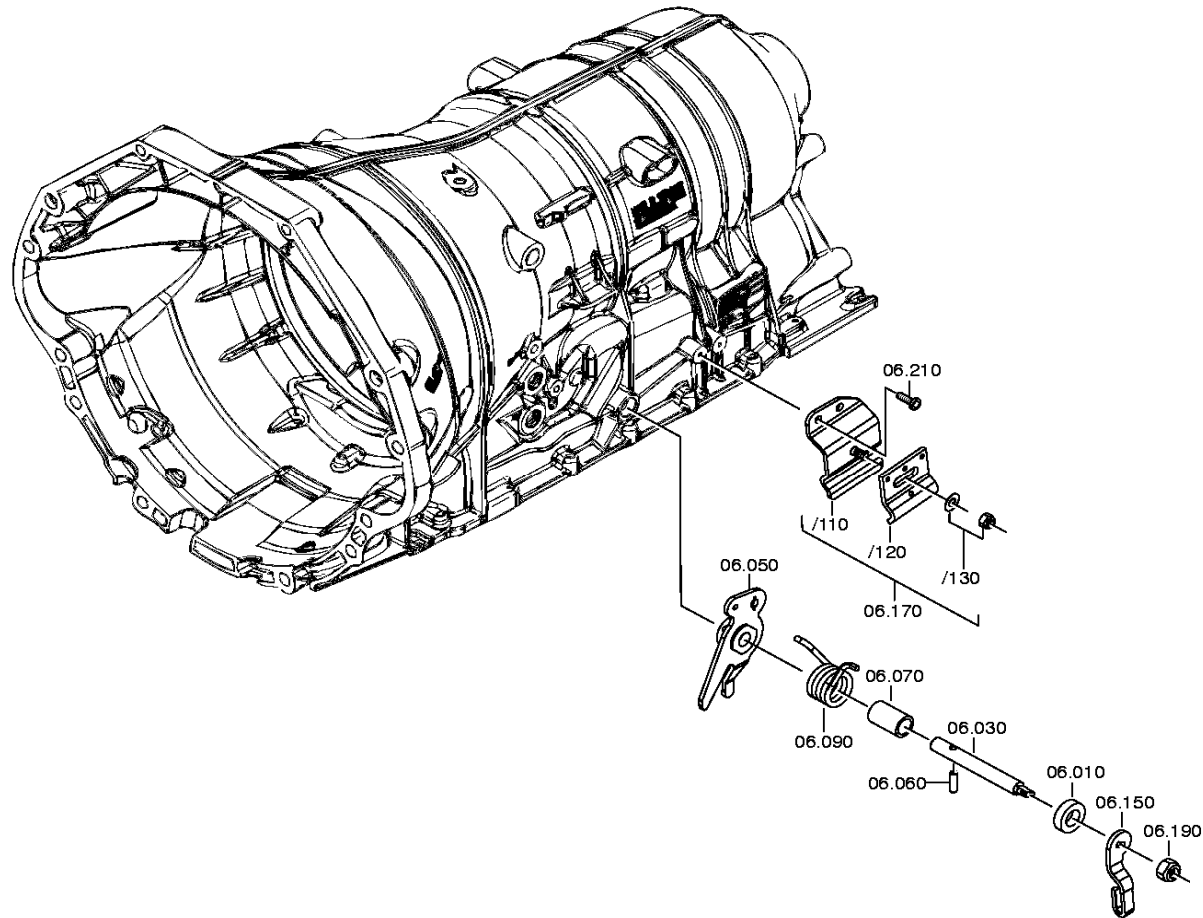
6 HP 26 / X

6HP26	6HP26A	6HP26X	6HP26A61	Part Number	Description
Pos. #	Pos. #	Pos. #	Pos. #		
03.010		03.010		0501 215 789 01	Oil SUMP

* This catalog is for reference only... part numbers may be changed in the future and may differ depending on transmission specification number.



6 HP 26 - GEARSHIFT SYST.



6 HP 26 / 32
BMW

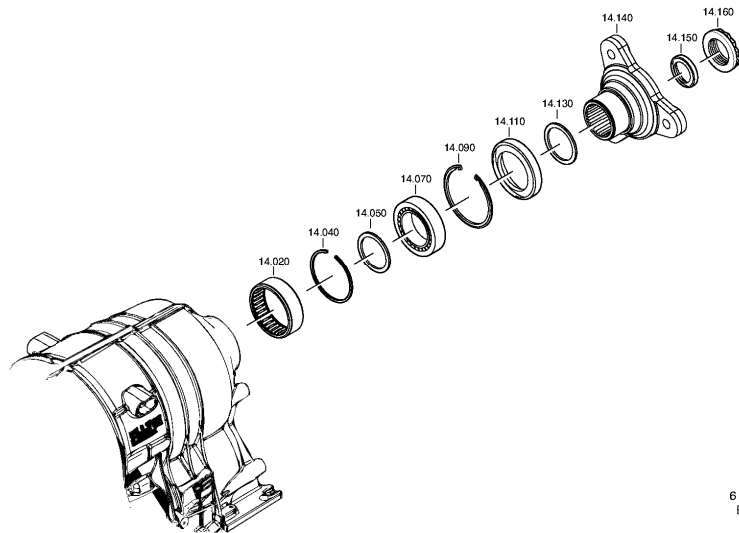
6HP26	6HP26A	6HP26X	6HP26A61	Part Number	Description
Pos. #	Pos. #	Pos. #	Pos. #		
06.060	06.060	06.060	06.060	0501 320 396 01	CLAMPING SLEEVE (Selector Shaft)
06.030				1071 306 002 01	SELECTOR SHAFT

* This catalog is for reference only... part numbers may be changed in the future and may differ depending on transmission specification number.

ZF 6HP26 Automatic Transmission - Available Spare Parts (REFERENCE ONLY*)

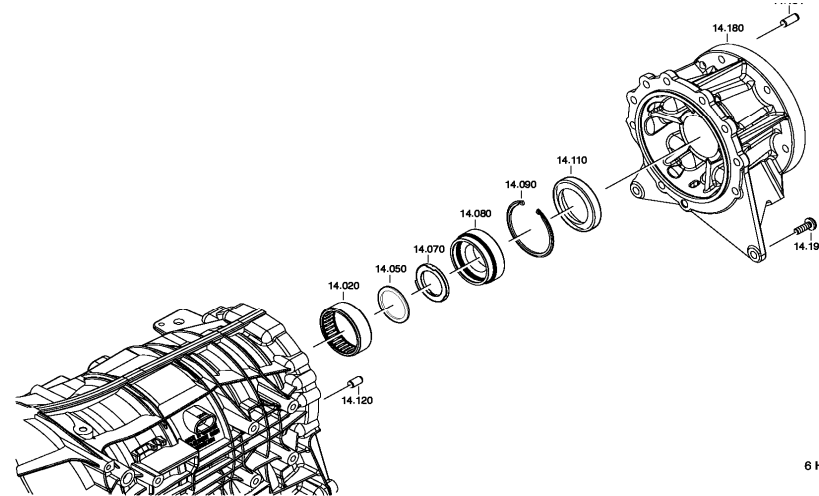


6 HP 26 - OUTPUT



6 HP 26
BMW

6 HP 26 X - OUTPUT



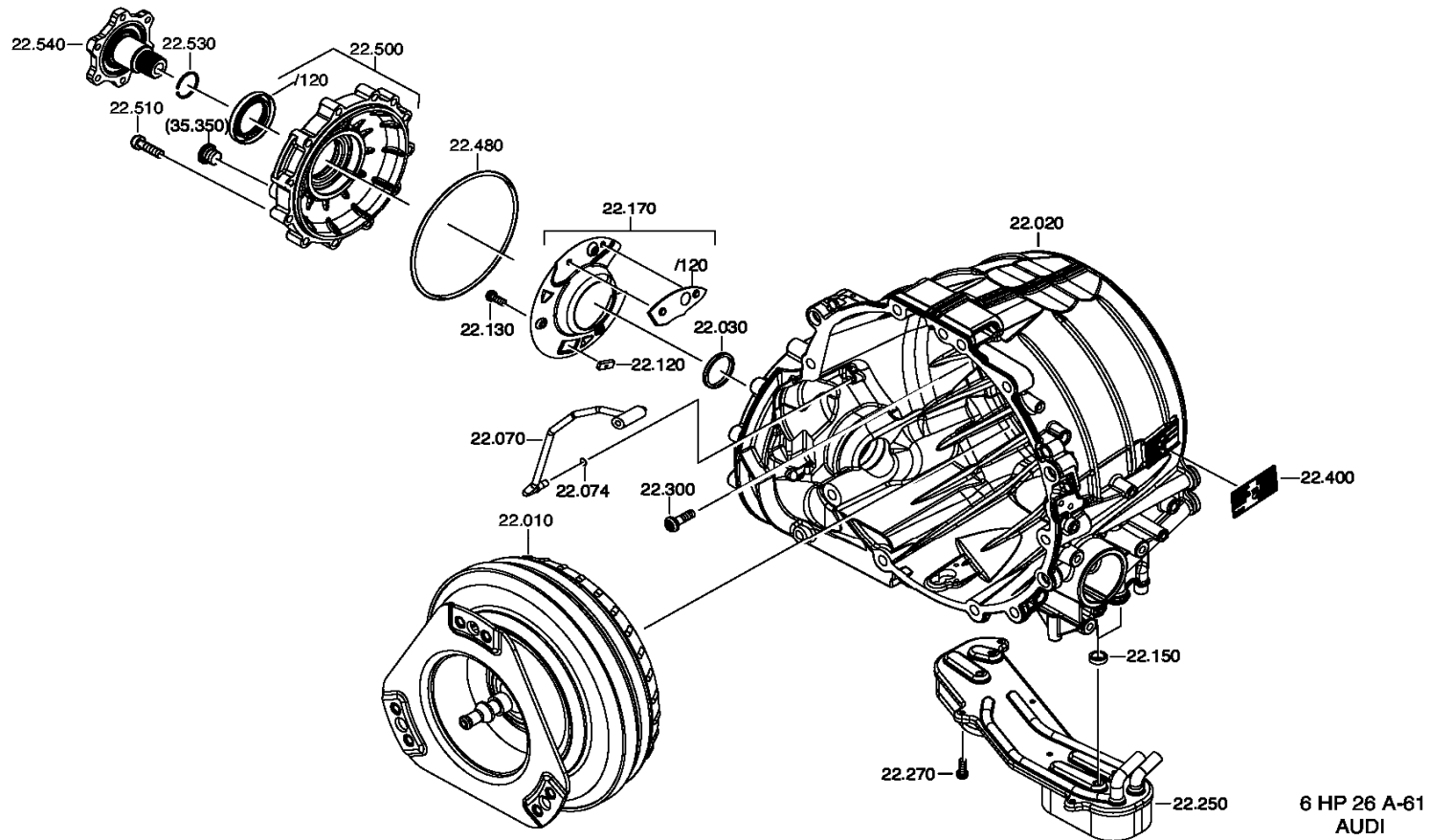
6 HP 26 X
Ford

6HP26	6HP26A	6HP26X	6HP26A61	Part Number	Description
Pos. #	Pos. #	Pos. #	Pos. #		
14.140				1068 314 072 01	OUTPUT FLANGE (Ford)
14.140				1068 314 079 01	OUTPUT FLANGE (Jag)
		14.180		1068 314 081 01	EXTENSION (Ford)
14.140				1068 314 091 01	OUTPUT FLANGE (Ford)

* This catalog is for reference only... part numbers may be changed in the future and may differ depending on transmission specification number.



6 HP 26 A 61 - CONVERTER

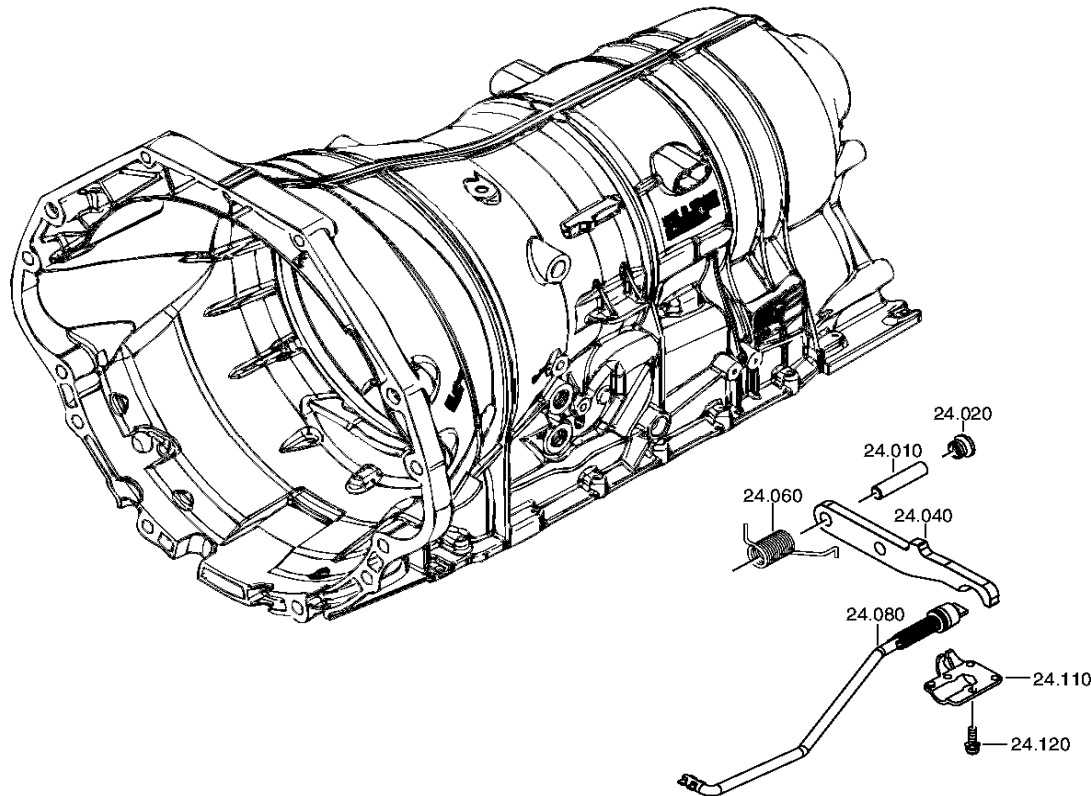


6HP26	6HP26A	6HP26X	6HP26A61	Part Number	Description
Pos. #	Pos. #	Pos. #	Pos. #		
			22.540	1071 335 051 01	OUTPUT FLANGE (Front Axle Flange)

* This catalog is for reference only... part numbers may be changed in the future and may differ depending on transmission specification number.



6 HP 26 - PARKING LOCK



6 HP 26

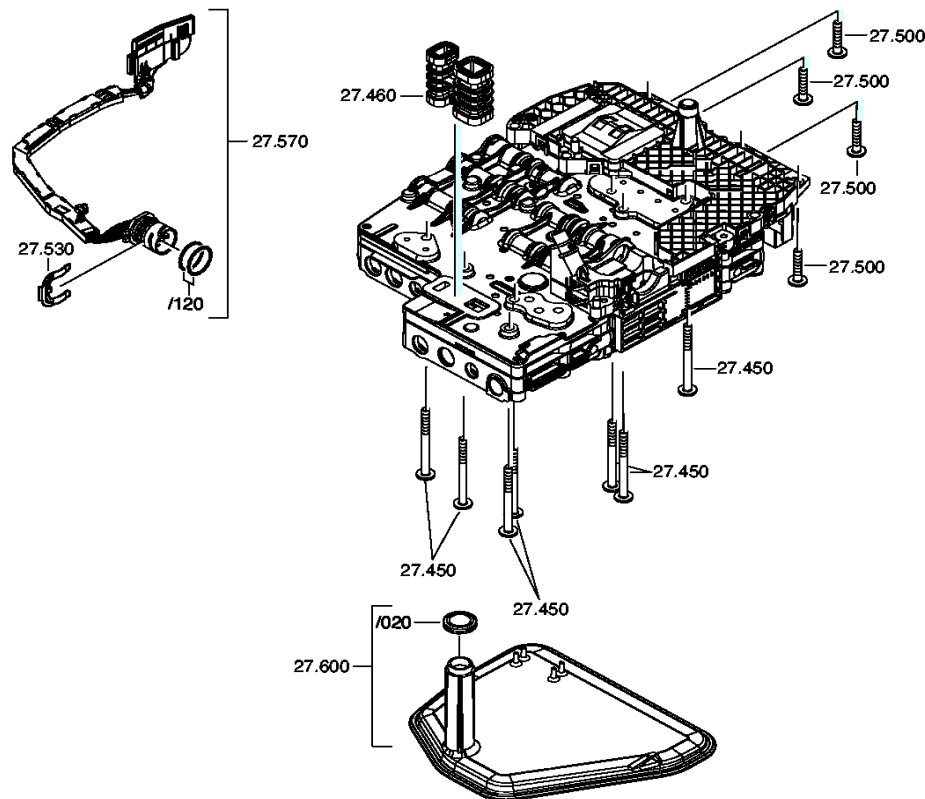
6HP26	6HP26A	6HP26X	6HP26A61	Part Number	Description
Pos. #	Pos. #	Pos. #	Pos. #		
24.040		24.040	24.040	1068 324 010 01	PAWL (Parking Lock)
24.110		24.110		1068 324 018 01	GUIDING PLATE (Parking Lock)

* This catalog is for reference only... part numbers may be changed in the future and may differ depending on transmission specification number.

ZF 6HP26 Automatic Transmission - Available Spare Parts (REFERENCE ONLY*)



6 HP 19 A - MECHATRONIC

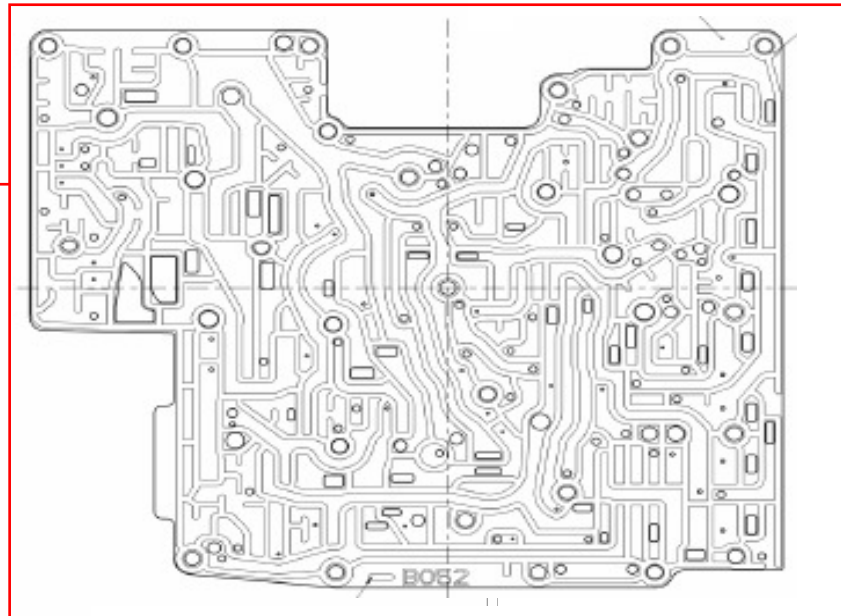
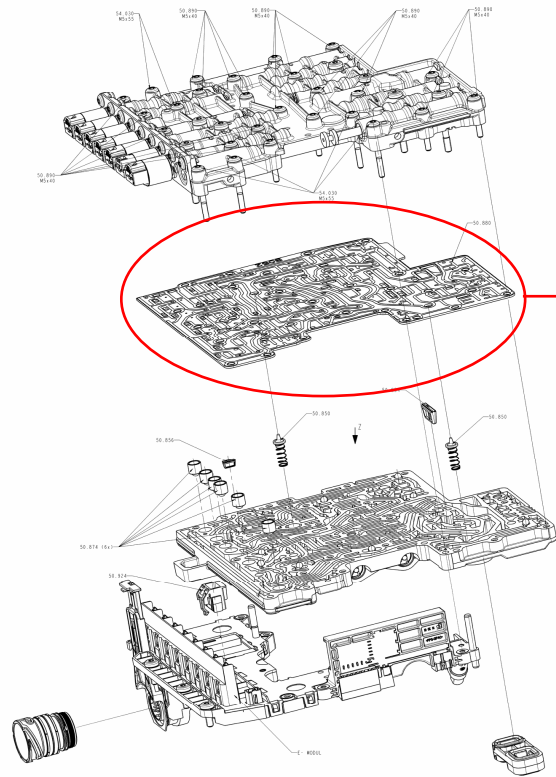


6 HP 19 A
AUDI

6HP26	6HP26A	6HP26X	6HP26A61	Part Number	Description
Pos. #	Pos. #	Pos. #	Pos. #		
	27.570/120		27.570/120	0501 209 253 01	O-RING (Mechatronic Wiring Harness)

* This catalog is for reference only... part numbers may be changed in the future and may differ depending on transmission specification number.

ZF 6HP26 Automatic Transmission - Available Spare Parts (REFERENCE ONLY*)

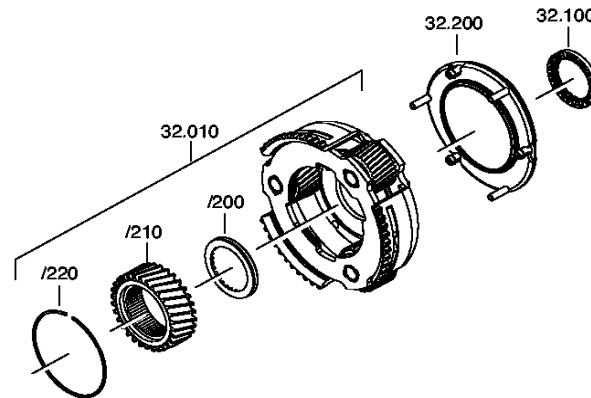


6HP26 Pos. #	6HP26A Pos. #	6HP26X Pos. #	6HP26A61 Pos. #	Part Number	Description
50.880				1068 227 035 01	INTERMEDIATE SHEET
50.880		50.880		1068 227 047 01	INTERMEDIATE SHEET
50.880	50.880	50.880	50.880	1068 227 051 01	INTERMEDIATE SHEET
50.880	50.880	50.880	50.880	1068 227 052 01	INTERMEDIATE SHEET
50.880		50.880		1068 227 053 01	INTERMEDIATE SHEET

* This catalog is for reference only... part numbers may be changed in the future and may differ depending on transmission specification number.



6 HP 26 - PLANETARY DRIVE



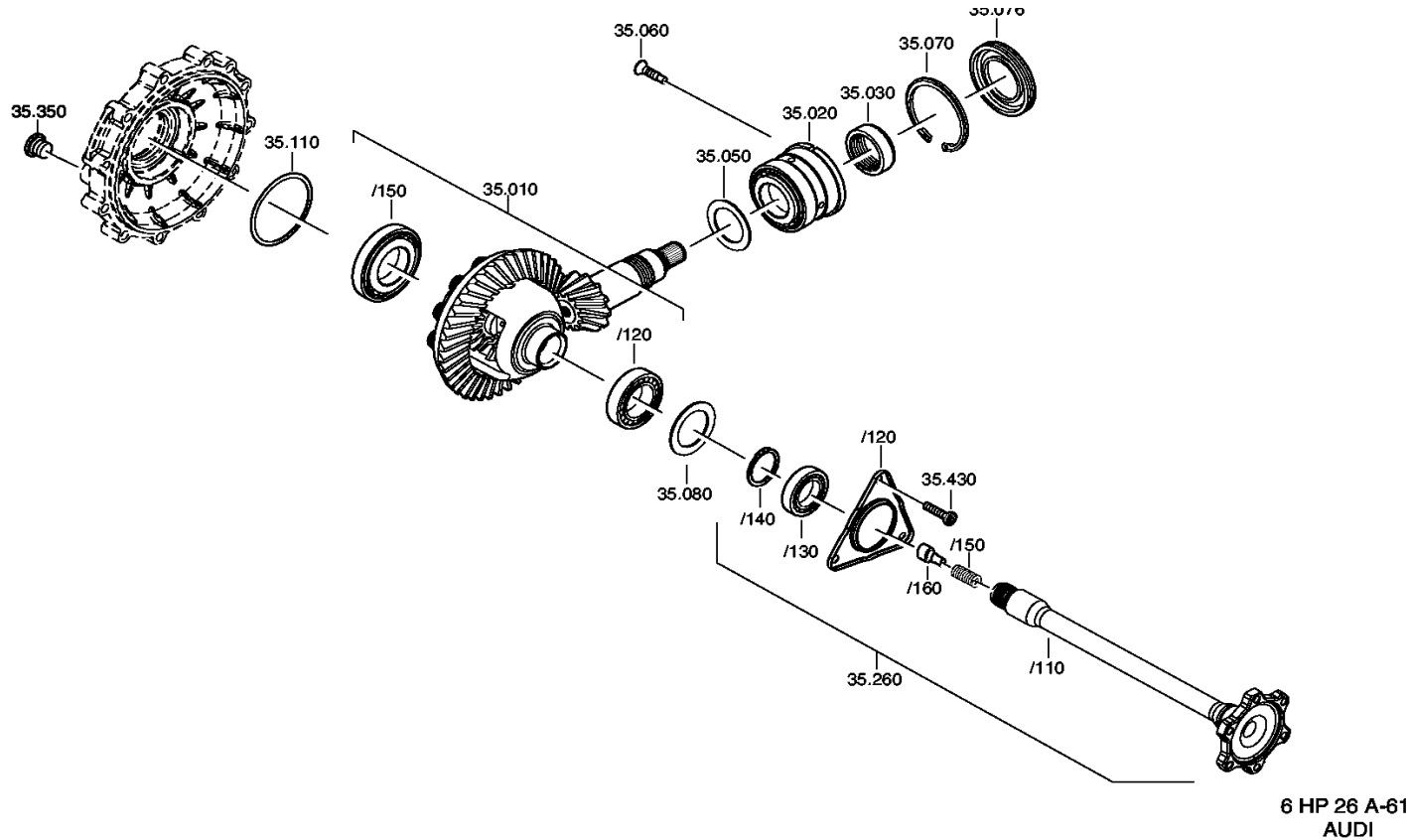
6 HP 26 / X
6 HP 26 A-61

6HP26	6HP26A	6HP26X	6HP26A61	Part Number	Description
Pos. #	Pos. #	Pos. #	Pos. #		
32.010/110	32.010/110	32.010/110	32.010/110	1068 332 066 01	SUN GEAR (Front Planetary)

* This catalog is for reference only... part numbers may be changed in the future and may differ depending on transmission specification number.



6 HP 26 A 61 - FRONT AXLE DIFF



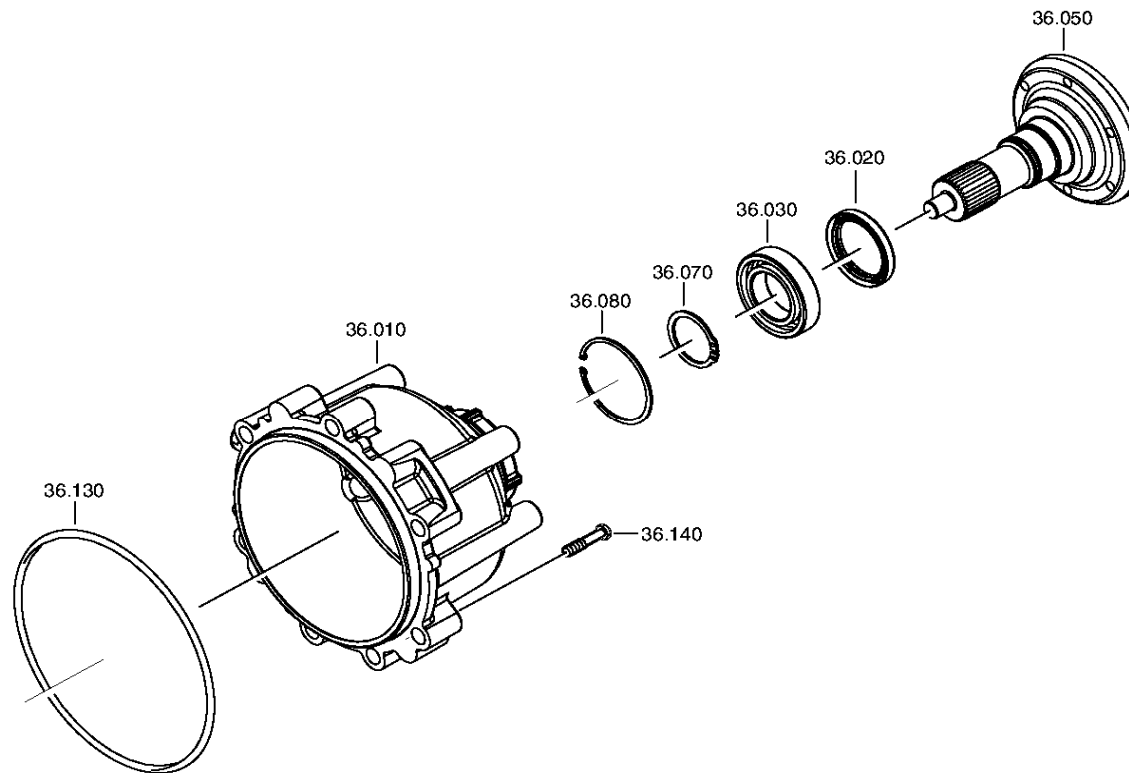
6 HP 26 A-61
AUDI

6HP26	6HP26A	6HP26X	6HP26A61	Part Number	Description
Pos. #	Pos. #	Pos. #	Pos. #		
			35.260/120	1071 335 008 01	COVER (Front axle shaft bearing plate)
			35.260/120	1071 335 044 01	COVER (Replaces 1071 335 008)

* This catalog is for reference only... part numbers may be changed in the future and may differ depending on transmission specification number.



6 HP 26 A 61 - REAR AX. OUTPUT



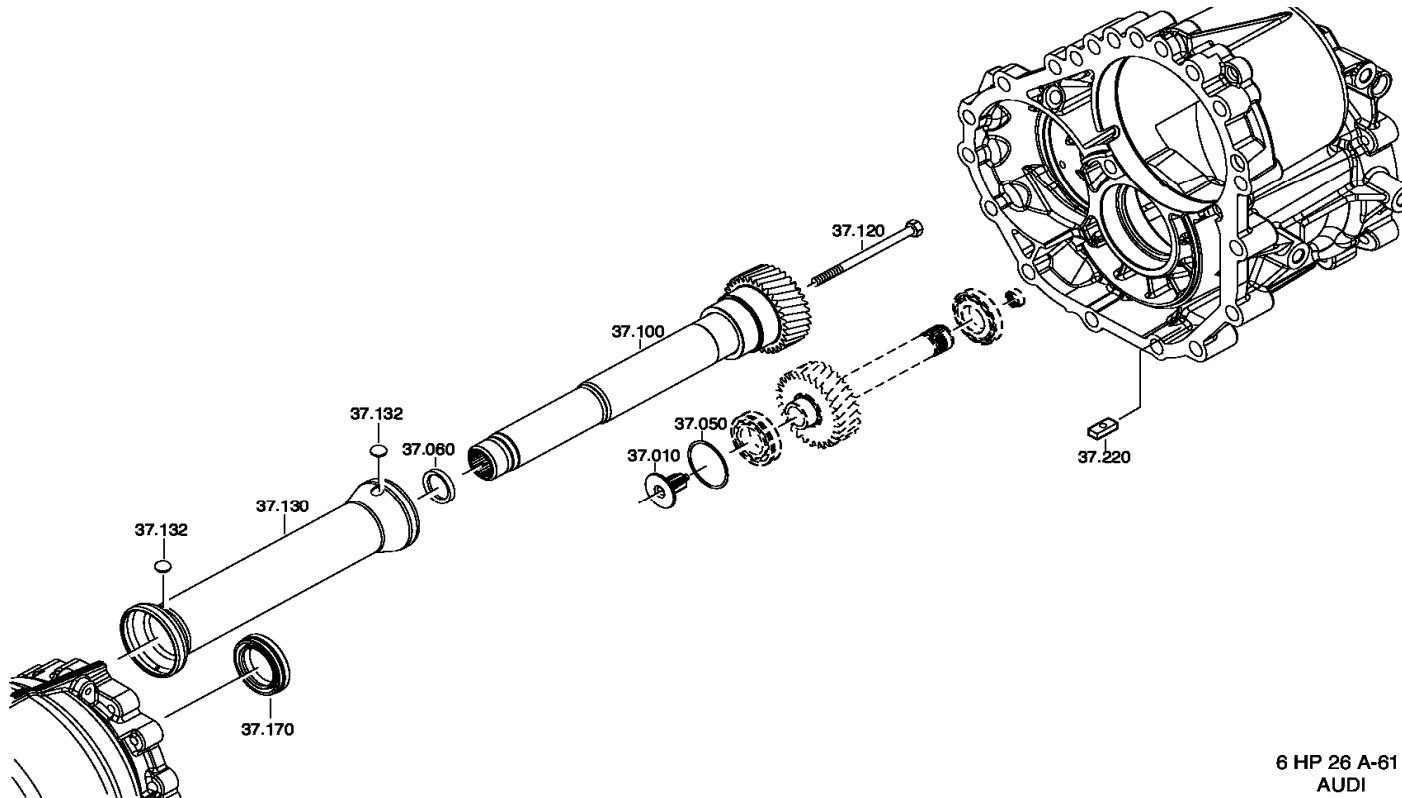
6 HP 26 A-61
AUDI

6HP26	6HP26A	6HP26X	6HP26A61	Part Number	Description
Pos. #	Pos. #	Pos. #	Pos. #		
			36.010	1068 336 010 01	DISTR.HOUSING

* This catalog is for reference only... part numbers may be changed in the future and may differ depending on transmission specification number.



6 HP 26 A 61 - FRONT AX.OUTPUT



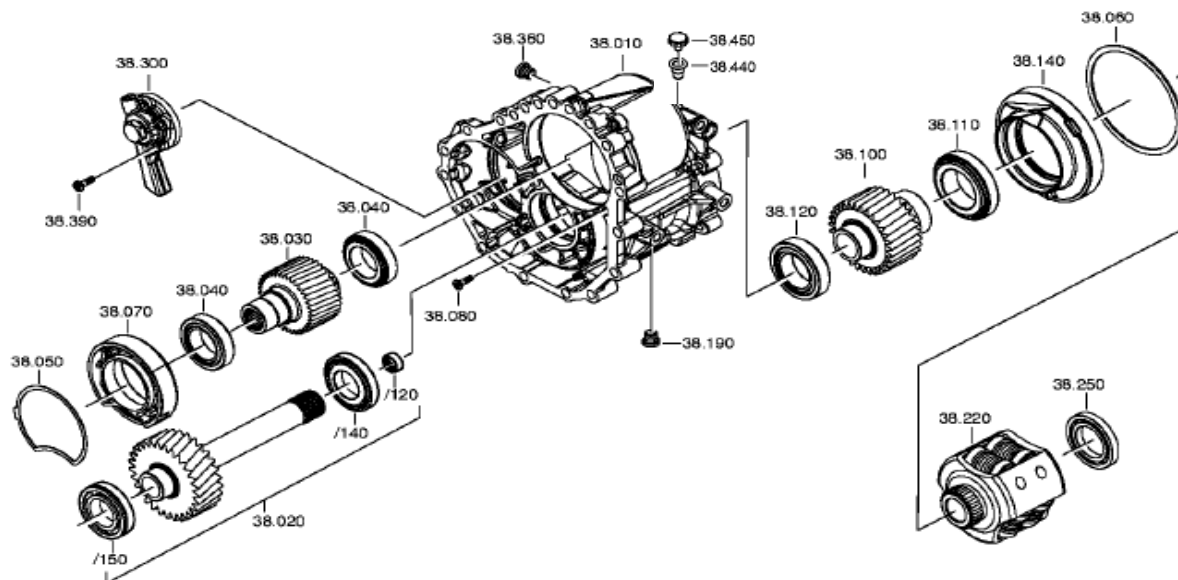
6 HP 26 A-61
AUDI

6HP26	6HP26A	6HP26X	6HP26A61	Part Number	Description
Pos. #	Pos. #	Pos. #	Pos. #		
			37.010	1068 337 008 01	OIL FEEDER (Front Axle Output)
			37.060	1068 337 012 01	WASHER (Front Axle Output)
			37.130	1068 337 097 01	PROTECTING TUBE (Front Axle Output)

* This catalog is for reference only... part numbers may be changed in the future and may differ depending on transmission specification number.



6 HP 26 A 61 - DISTRIBUTOR



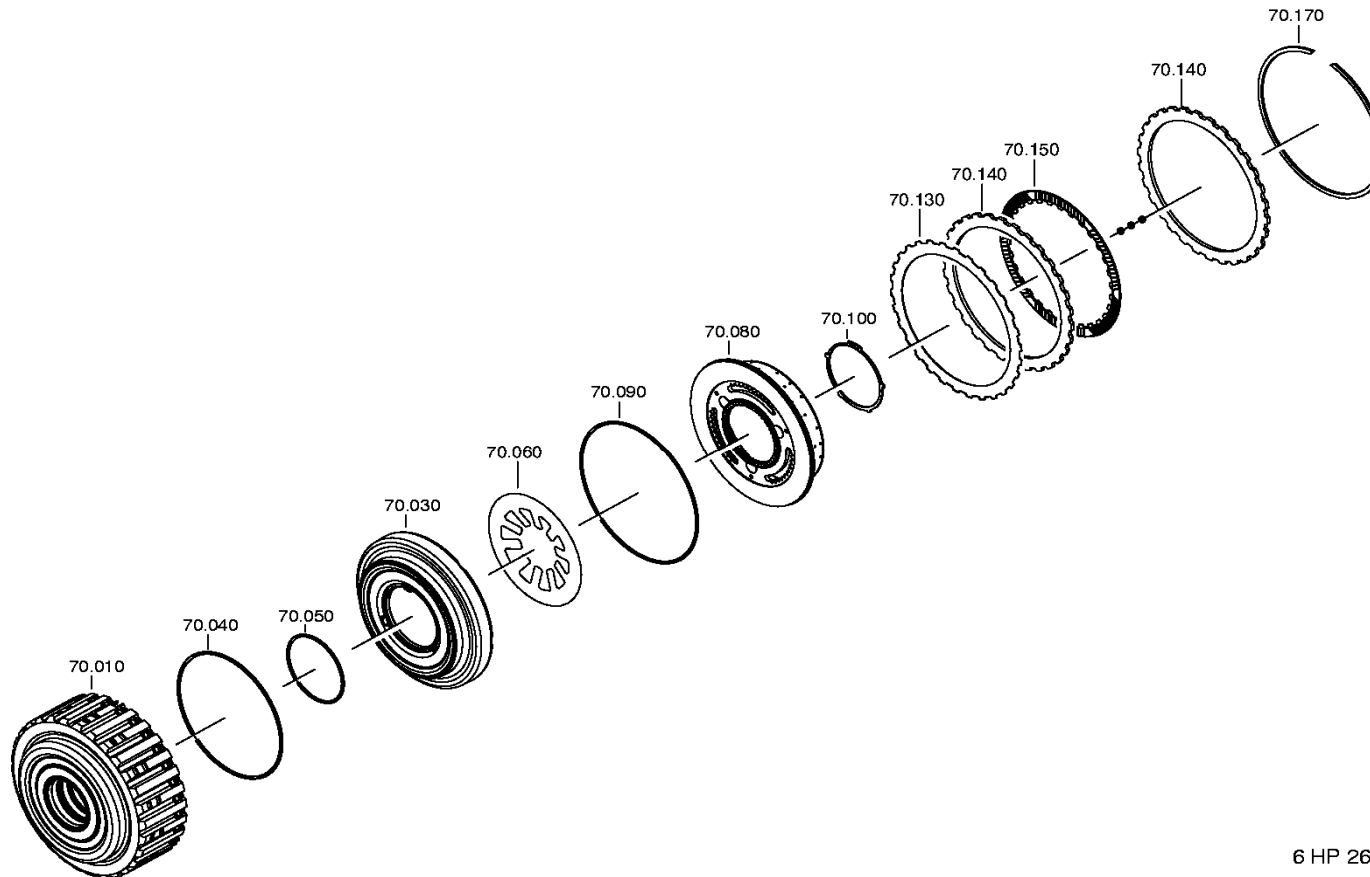
6 HP 26 A -61
AUDI

6HP26	6HP26A	6HP26X	6HP26A61	Part Number	Description
Pos. #	Pos. #	Pos. #	Pos. #		
			38.100	1068 338 016 01	OUTPUT GEAR 33 Tooth (Distributor)
			38.100	1068 338 017 01	OUTPUT GEAR 32 Tooth (Distributor)
			38.140	1068 338 027 01	BEARING RING (Distributor)
			38.070	1068 338 060 01	BEARING HOUSING (Distributor)
			38.450	0501 314 809 01	VENT COVER

* This catalog is for reference only... part numbers may be changed in the future and may differ depending on transmission specification number.



6 HP 26 A 61 - COUPLING A



6 HP 26 A-61

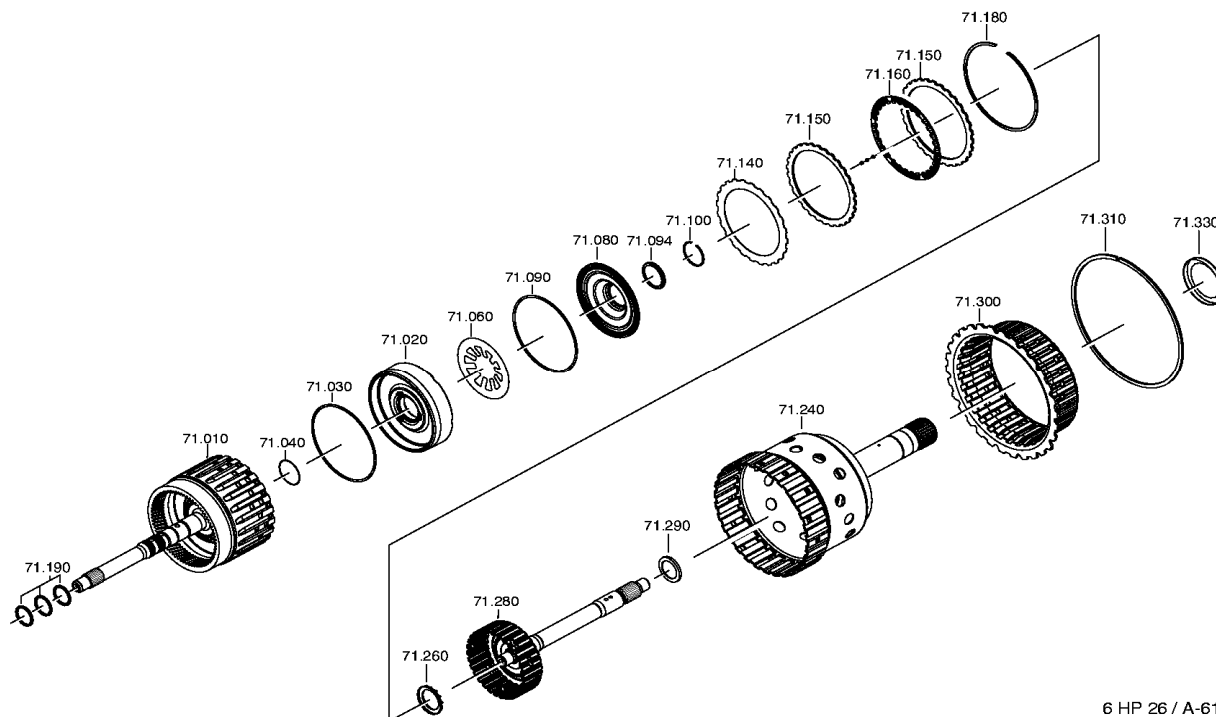
6HP26	6HP26A	6HP26X	6HP26A61	Part Number	Description
70.010	70.010	70.010	70.010	1068 270 039 01	CYLINDER A (DRUM)
70.150	70.150	70.150	70.150	1068 277 004 01	LIN.CLUTCH DISC (A & D Clutch)
70.030	70.030	70.030	70.030	1068 370 014 01	PISTON (A Clutch 4 Plates)
70.030	70.030	70.030	70.030	1068 370 044 01	PISTON (A Clutch 5 Plates)
70.030	70.030	70.030	70.030	1068 370 045 01	PISTON (A Clutch 4 Plates)
70.140	70.140	70.140	70.140	1068 377 020 01	O.CLUTCH DISC (Clutch A & C 3.0)

* This catalog is for reference only... part numbers may be changed in the future and may differ depending on transmission specification number.

ZF 6HP26 Automatic Transmission - Available Spare Parts (REFERENCE ONLY*)



6 HP 26 A - COUPLING E



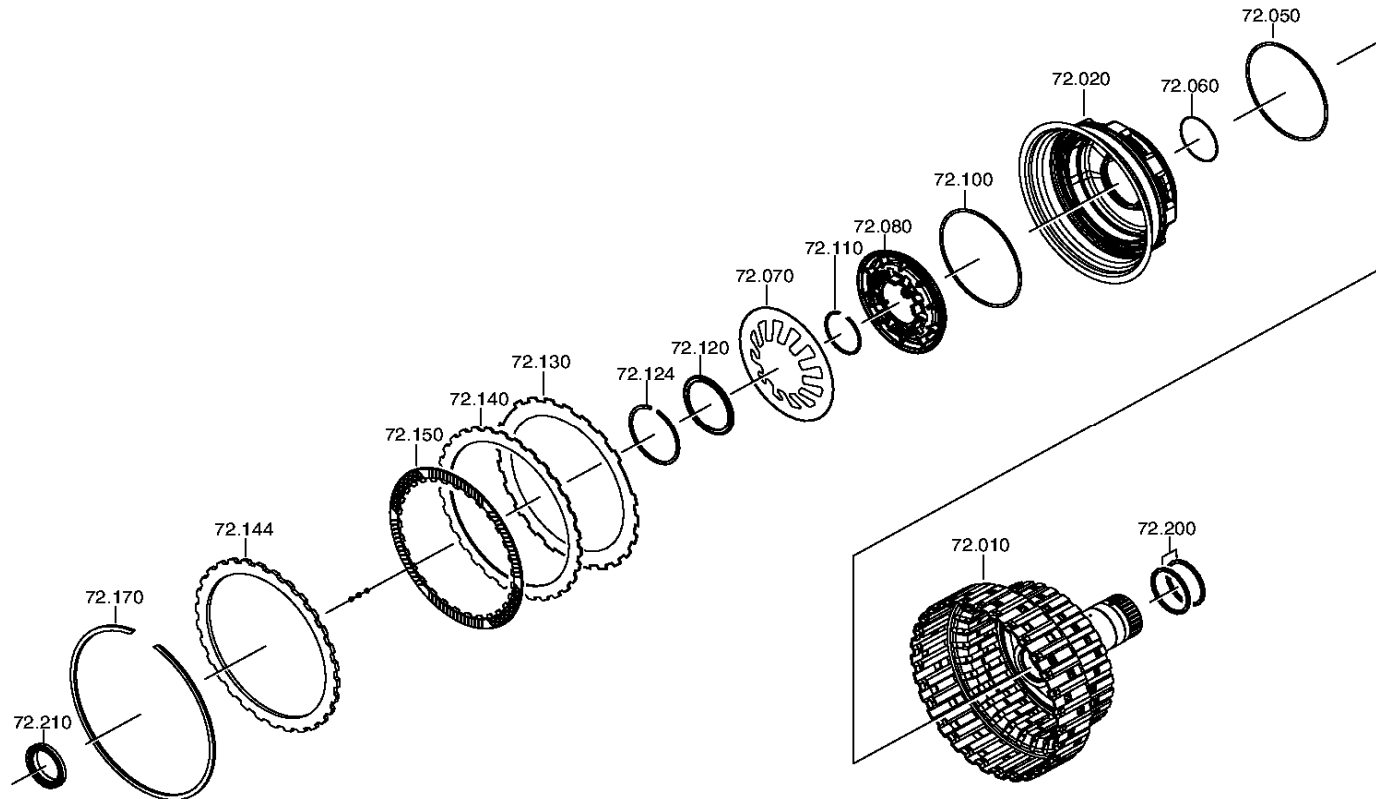
6 HP 26 / A-61

6HP26	6HP26A	6HP26X	6HP26A61	Part Number	Description
71.160	71.160	71.160	71.160	1068 271 018 01	LIN.CLUTCH DISC (E Clutch)
71.300	71.300	71.300	71.300	1068 370 072 01	DISC CARRIER (B clutch inner)
71.150	71.150	71.150	71.150	1068 371 030 01	O.CLUTCH DISC (Clutch E)
71.080	71.080	71.080	71.080	1068 371 033 01	OIL DAM (Clutch E)
71.020	71.020	71.020	71.020	1068 371 037 01	PISTON (Clutch E 6/7 plates)
71.020	71.020	71.020	71.020	1068 371 038 01	PISTON (Clutch E 5 plates)
71.284	71.284	71.284	71.284	1068 371 039 01	ORIFICE (Clutch E) not shown in breakdown
71.094	71.094	71.094	71.094	1068 371 040 01	FIXING PLATE (Clutch E Oil Dam)
71.100	71.100	71.100	71.100	0730 513 920 01	Snap-ring E piston retaining ring
71.150	71.150	71.150	71.150	1068 371 047 01	O.CLUTCH DISC (Clutch E 7 plates 2.4)
71.140	71.140	71.140	71.140	1068 371 069 01	O.CLUTCH DISC (End Plate Clutch E)

* This catalog is for reference only... part numbers may be changed in the future and may differ depending on transmission specification number.



6 HP 26 - COUPLING B



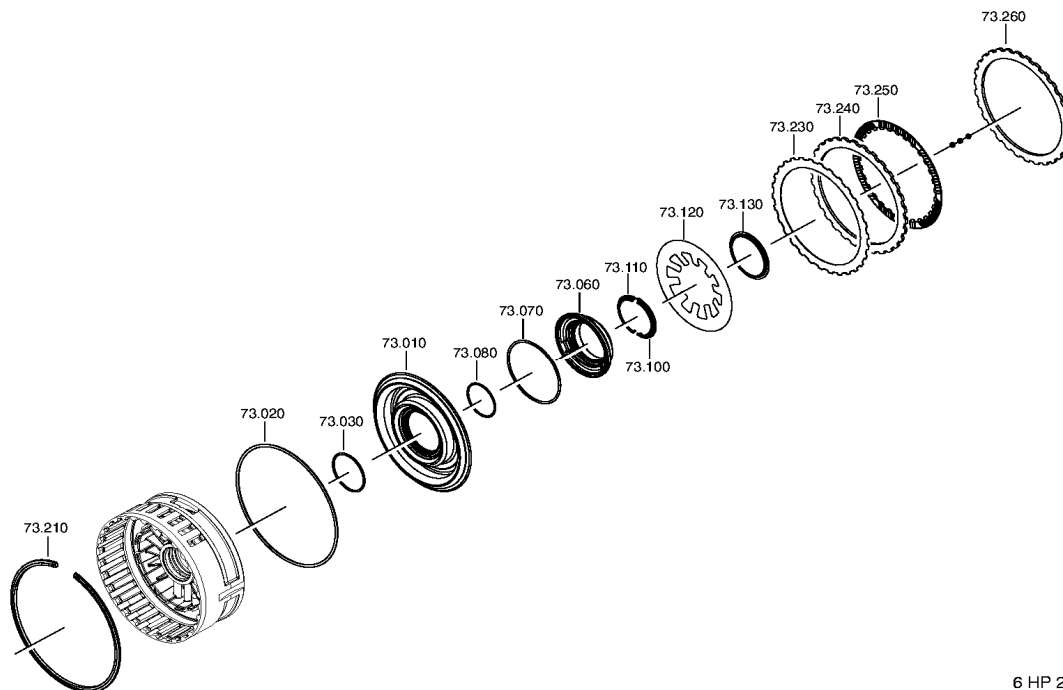
6 HP 26 / A-61

6HP26	6HP26A	6HP26X	6HP26A61	Part Number	Description
Pos. #	Pos. #	Pos. #	Pos. #		
72.150	72.150	72.150	72.150	1068 277 002 01	LIN.CLUTCH DISC (B & C Clutch)
72.120	72.120	72.120	72.120	1068 372 034 01	FIXING WASHER (B Clutch)
72.080	72.080	72.080	72.080	1068 372 035 01	OIL DAM (B Clutch)
72.144	72.144	72.144	72.144	1068 372 043 01	O.CLUTCH DISC (End Plate Clutch B)
72.140	72.140	72.140	72.140	1068 377 019 01	O.CLUTCH DISC (Clutch B & D 2.1)

* This catalog is for reference only... part numbers may be changed in the future and may differ depending on transmission specification number.



6 HP 26 - COUPLING D



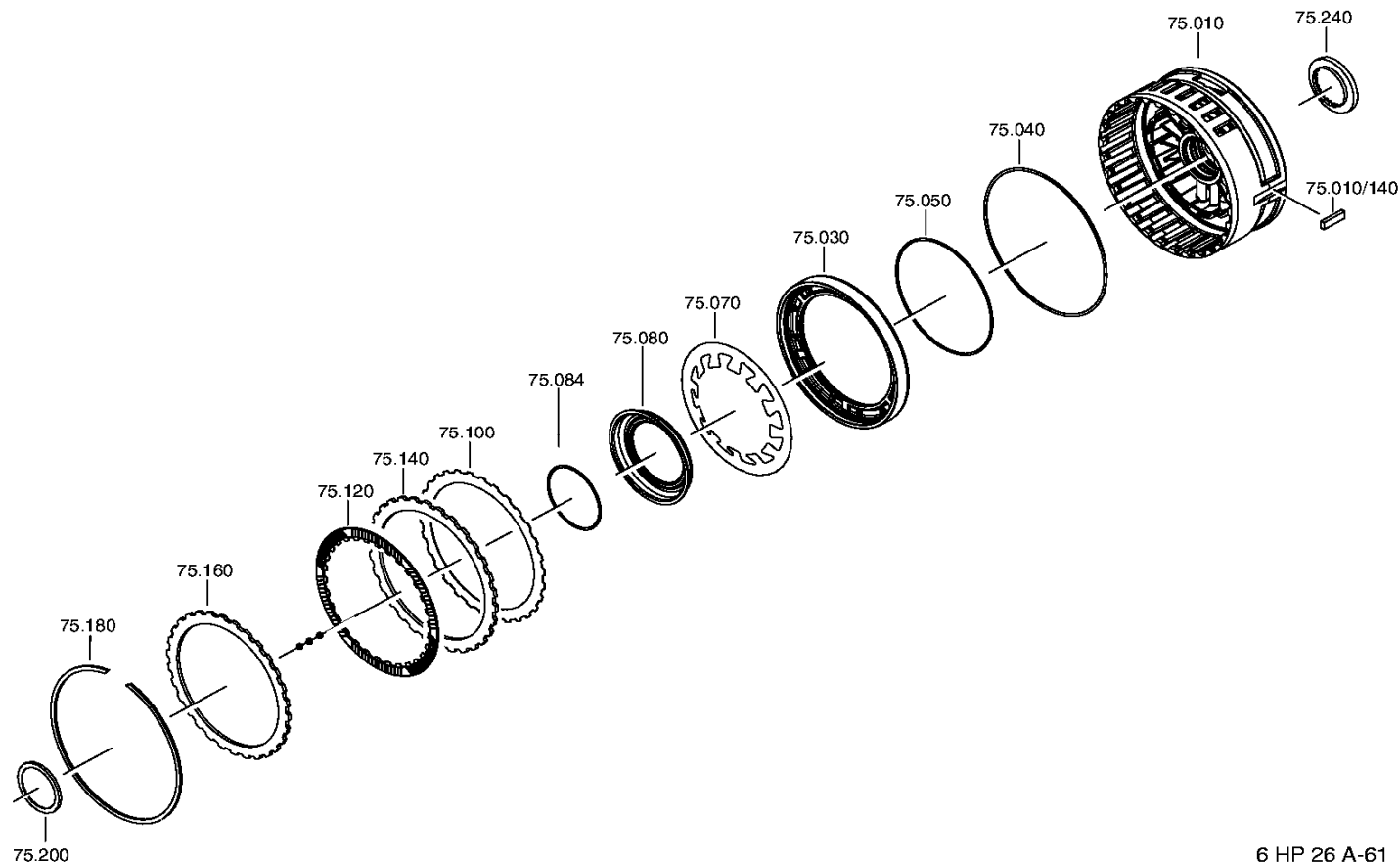
6 HP 26 A-61

6HP26	6HP26A	6HP26X	6HP26A61	Part Number	Description
73.170	73.170	73.170	73.170	1068 277 004 01	LIN.CLUTCH DISC (A & D Clutch)
73.130	73.130	73.130	73.130	1068 373 015 01	SPLIT RING (Clutch D Piston return)
73.010	73.010	73.010	73.010	1068 373 016 01	PISTON (D Clutch 7 plates)
73.010	73.010	73.010	73.010	1068 373 017 01	PISTON (D Clutch 6 plates)
73.100	73.100	73.100	73.100	1068 373 022 01	SPLIT RING (Clutch D Oil dam)
73.110	73.110	73.110	73.110	1068 373 023 01	SPLIT RING (Clutch D Oil dam)
73.240	73.240	73.240	73.240	1068 377 019 01	O.CLUTCH DISC (Clutch B & D 2.1)
73.260	73.260	73.260	73.260	1068 377 022 01	O.CLUTCH DISC (Clutch D endplate 2.4)
73.260	73.260	73.260	73.260	1068 377 023 01	O.CLUTCH DISC (Clutch D endplate 2.7)
73.260	73.260	73.260	73.260	1068 377 024 01	O.CLUTCH DISC (Clutch D endplate 3.3)
73.260	73.260	73.260	73.260	1068 377 025 01	O.CLUTCH DISC (Clutch D endplate 3.6)
73.260	73.260	73.260	73.260	1068 377 026 01	O.CLUTCH DISC (Clutch D endplate 4.2)

* This catalog is for reference only... part numbers may be changed in the future and may differ depending on transmission specification number.



6 HP 26 - COUPLING C



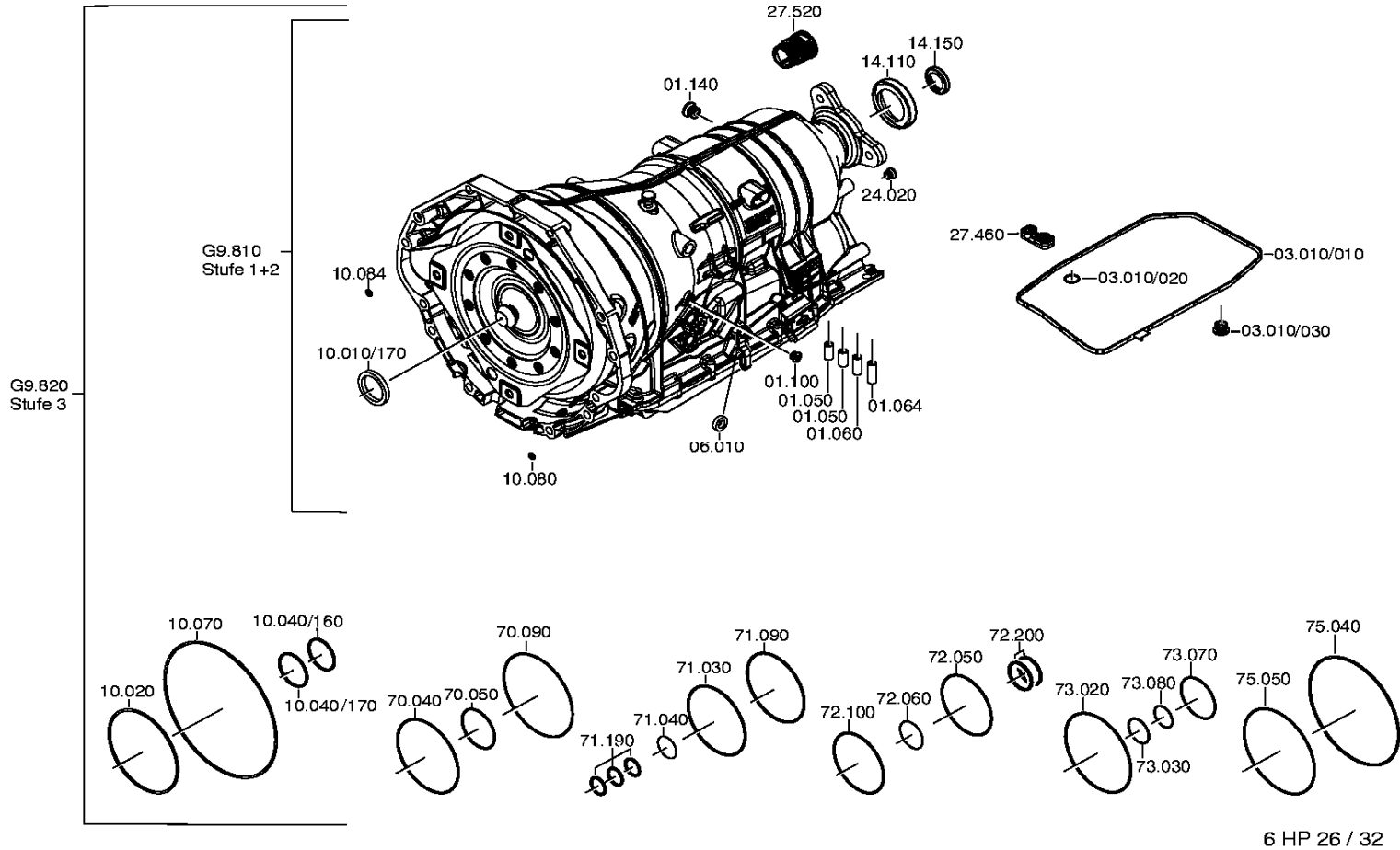
6 HP 26 A-61

6HP26	6HP26A	6HP26X	6HP26A61	Part Number	Description
Pos. #	Pos. #	Pos. #	Pos. #		
75.120	75.120	75.120	75.120	1068 277 002 01	LIN.CLUTCH DISC (B & C Clutch)
75.030	75.030	75.030	75.030	1068 375 014 01	PISTON (Clutch C 5 plates)
75.030	75.030	75.030	75.030	1068 375 016 01	PISTON (Clutch C 4 plates)
75.080	75.080	75.080	75.080	1068 375 028 01	STOP RING (C Clutch Return Spring)
75.140	75.140	75.140	75.140	1068 377 020 01	O.CLUTCH DISC (Clutch A & C 3.0)
75.160	75.160	75.160	75.160	1068 377 021 01	O.CLUTCH DISC (Clutch C endplate 3.9)

* This catalog is for reference only... part numbers may be changed in the future and may differ depending on transmission specification number.



6 HP 26 - SEAL KIT



6HP26	6HP26A	6HP26X	6HP26A61	Part Number	Description
Pos. #	Pos. #	Pos. #	Pos. #		
G9.820		G9.820		1068 298 030 01	SEAL KIT
	G9.820		G9.820	1068 298 032 01	

* This catalog is for reference only... part numbers may be changed in the future and may differ depending on transmission specification number.